
Surfboard Coffee Table

Designed by
Arne Hovmand-Olsen
1959

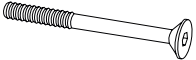
Assembly Instructions



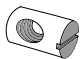
For more information about care and maintenance go to
www.warmnordic.com

Contents

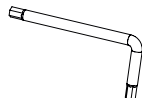
A  4 x 50mm
(4 black or 4 brass)

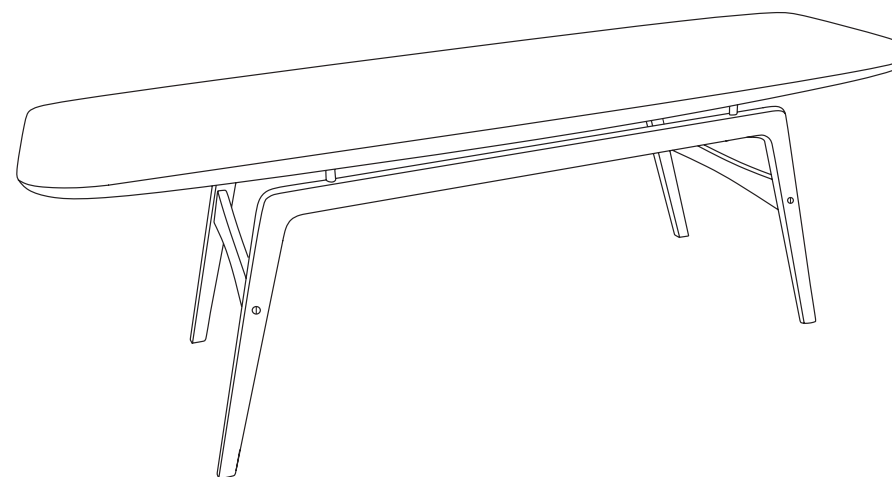
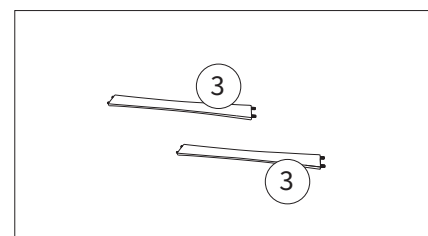
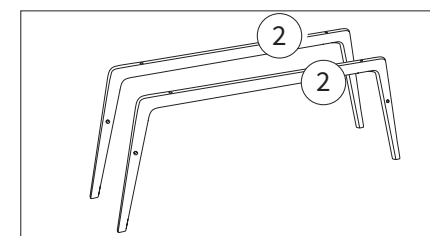
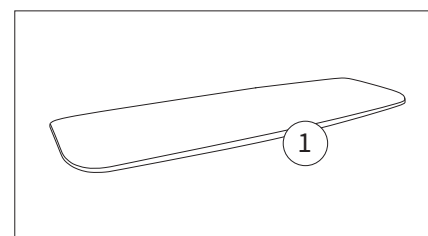
B  4 x 70mm

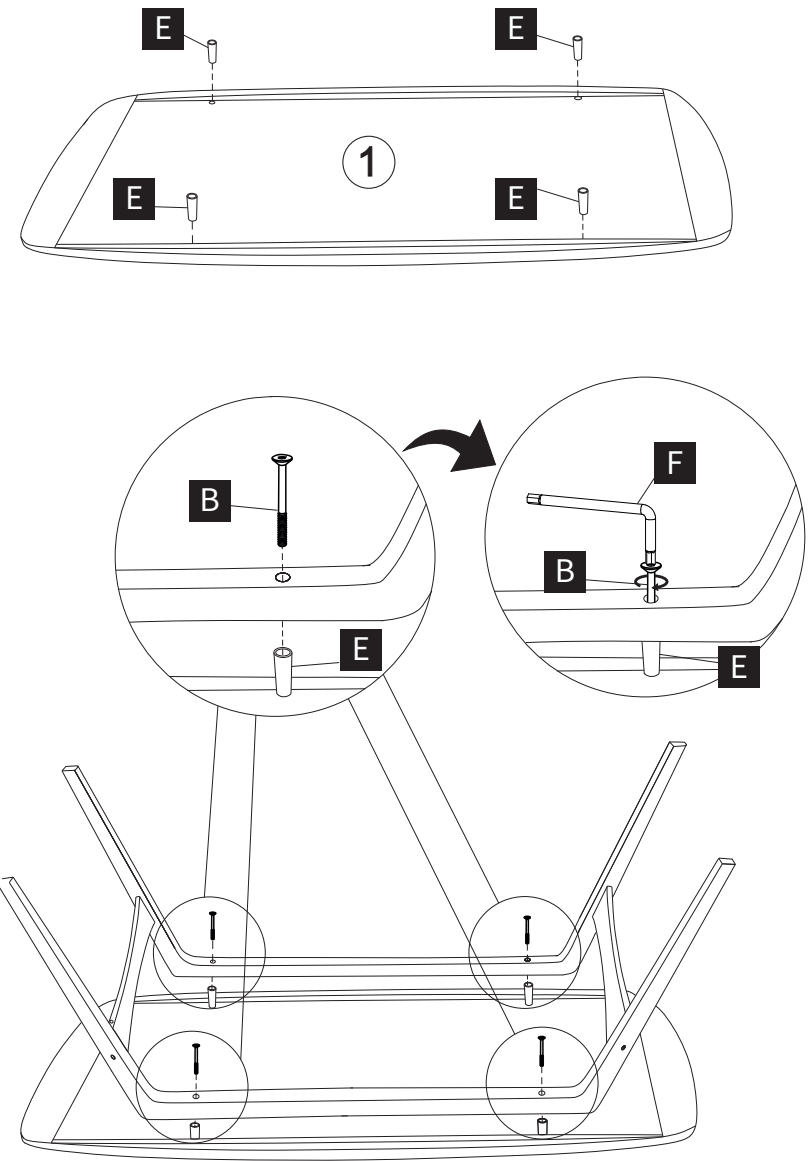
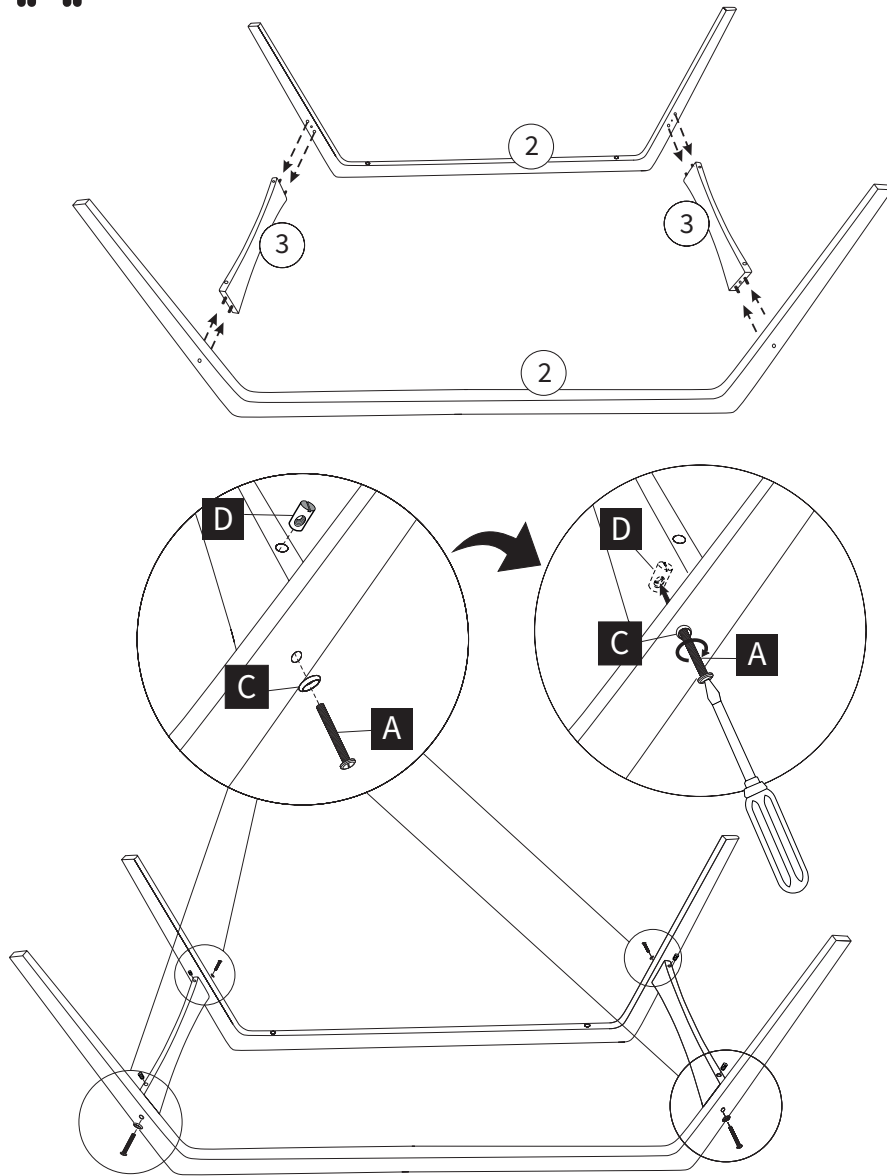
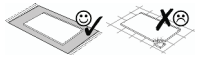
C  x 4
(4 black or 4 brass)

D  4 x 13mm

E  4 x 40mm
(4 black or 4 brass)

F  x 1





Care Instructions

Warm Nordic's furniture is high quality when it comes to design and functionality.

With correct maintenance, the furniture will remain in good condition for many years to come. We advise that you follow the accompanying guidelines to care for and clean the furniture. This ensures extended life time.

We have chosen materials which age beautifully, but please be aware that all materials undergo changes to their nature over time when exposed to light, dust and use.

General advice

We recommend that all furniture is re-tightened after a few weeks' use and then as needed. Changes to humidity levels can cause the wood to expand and contract. For this reason, it can be necessary to re-tighten during the winter, when wood typically contracts due to low humidity.

Avoid placing the table close to solid fuel stoves and radiators, as the heat source may dry out the wood and cause the formation of cracks.

Avoid placing warm and damp or wet objects on the table top as this can cause blotches to form. Always remove stains and liquids immediately to avoid these penetrating the material and leaving marks.

Avoid dragging things across the surface as this can cause scratches.

Please be aware that differences in colouration can occur when furniture is exposed to direct sunlight. Whole or partial coverage with table linens and table mats for long periods of time can cause differences in the hue and colouration of the wood. Wood should never be covered with airtight or non-breathable materials (for instance wax table cloths) for longer periods of time.

Wood is a natural material and for this reason may vary in colouration and structure.

Do not stand on the table.

Oiled wood

Wood is a natural material and for this reason may vary in colouration and structure. Oiled wood has a warm glow, which achieves a beautiful patina with regular maintenance.

Regular cleaning: To be wiped with a clean, lint-free cloth wrung out in warm water. Wipe with a dry cloth.

Do not use dish-soap or other detergents to clean and do not use abrasives such as scouring creams, steel wool or scouring sponges as these will cause scratches and drying out.

Maintenance: We recommend that the surface is treated at regular intervals with an oil specially designed for oil treated furniture, such as Guardian Wood Oil, which can be used on all 'hard' wood types. Before treatment is begun, all remaining dust must be removed with a wet cloth, following which the wood must be allowed to dry completely. The oil must always be applied with a clean, dry cloth and with the grain. Allow the oil to dry for approx. 2 hours, following which any excess oil must be removed. It may be necessary to repeat the treatment several consecutive times until the wood is saturated by oil.

If the fibres of the wood rise after treatment, solid wood may be sanded lightly with fine-grained sandpaper (grit 220). Never use steel wool!

Please note that the Surboard Coffee Table is constructed from a mix of solid wood and veneer. Do not use sandpaper on the veneer table top.

Scratches: Small scratches can be bettered by sanding the wood with the grain with fine-grained sandpaper (grit 220). Following this, the oil treatment described above must be repeated.

Please note that the cloth may self-ignite and must therefore be disposed of or kept in an air-tight bag or container.

Guardian Wood Cleaner can be used beneficially before oil treatment in the case of difficult stains.